

H201-LG

Stage compatibility: fits on the Leica Super Z galvo Stage (SP5/PS8)

The chamber can fit:

- 35/60 mm Petri
- 1x3 in. / 1x2 in. chambered slides
- 6-12-24-48-96 MW plates.

Features:

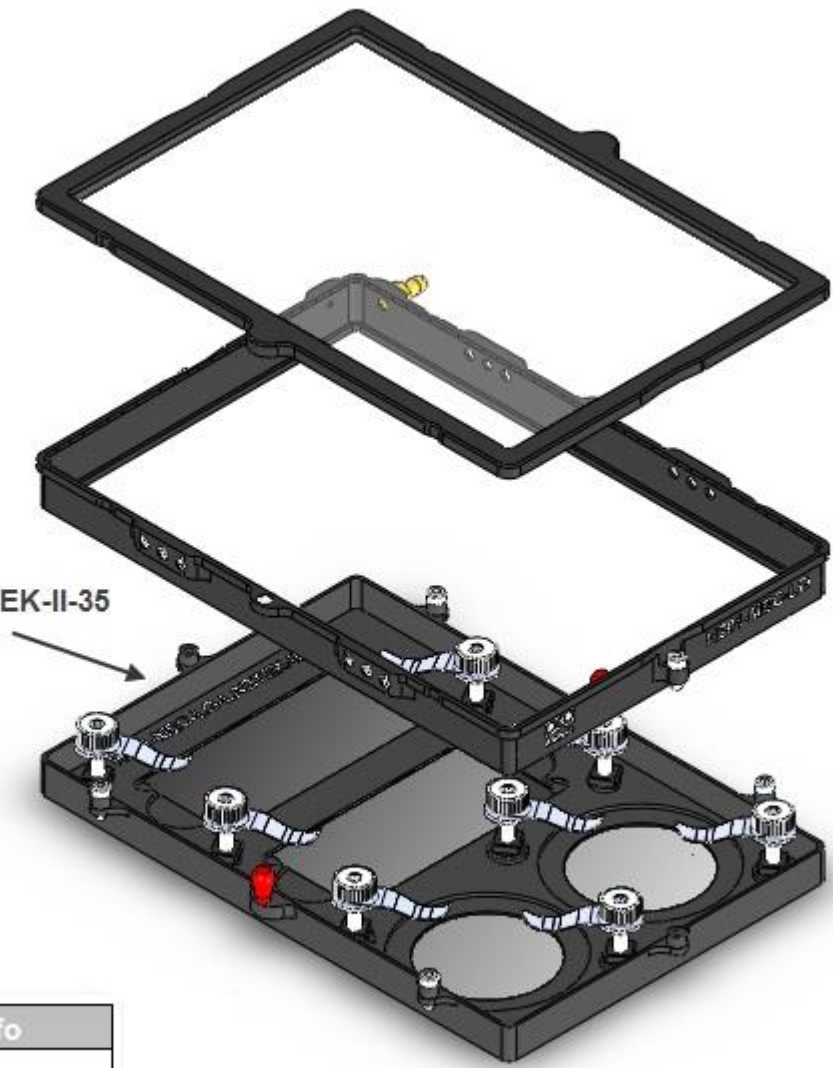
- Total weight on galvo stage: 100 g with standard inserts
- Total weight on galvo stage: 120 g with Multiwell insert
- Perfusion holes: 12 channels for 2.5mm O.D. tubings are available for perfusion
- The chamber fits on the XY stage and covers the Super Z galvo stage (SP5/SP8)



AVAILABLE INSERTS

H201-MEC-LG-MW	Multiwell plates holder
H201-MEC-LG-GS35	#2 1"x3" chamber slides and #2 35mm Petri-dish holder
H201-MEC-LG-LABTEK-35	#2 Lab-Tek 1x2 in. chambered cover glass and #2 35mm Petri-dish
H201-MEC-LG-LABTEK-II-35	#2 Lab-Tek II 1x2 in. chambered cover glass and #2 35mm Petri-dish
H201-MEC-LG-4x35	#4 35mm Petri-dish
H201-MEC-LG-3xGS	#3 1x3 in. chamber slides
H201-MEC-LG-2xLABTEK	#2 1x2 in. chambered cover glass
H201-MEC-LG-2xLABTEK II	#2 Lab-Tek II 1x2 in. chambered cover glass
H201-MEC-LG-1x35	#1 35mm Petri-dish
H201-MEC-LG-2x35	#2 35mm Petri-dish
H201-MEC-LG-1x60	#1 60mm Petri-dish

H201-LG-LABTEK-II-35



Ordering Info
H201-LG
H201-LG-LABTEK-II-35

H201-LG



H201-MEC-LG-1x35
For #1 35mm petri-dish holder



H201-MEC-LG-1x60
For #1 60mm petri-dish



H201-MEC-LG-2xLABTE
For #2 Lab-Tek 1"x2" chambered cover glass



H201-MEC-LG-4x35
For #4 35mm petri-dishes



H201-MEC-LG-GS35
For #2 1"x3" chamber slides and #2 35mm petri-dishes



H201-MEC-LG-MW
For Multiwell plates



H201-MEC-LG-3xGS
For #3 1"x3" chamber slides



H201-MEC-LG-LABTEK-II-35
For #2 Lab-Tek-II 1"x2" chambered cover glass and #2 35mm petri-dishes



H201-MEC-LG-2x35
For #2 35mm petri-dishes

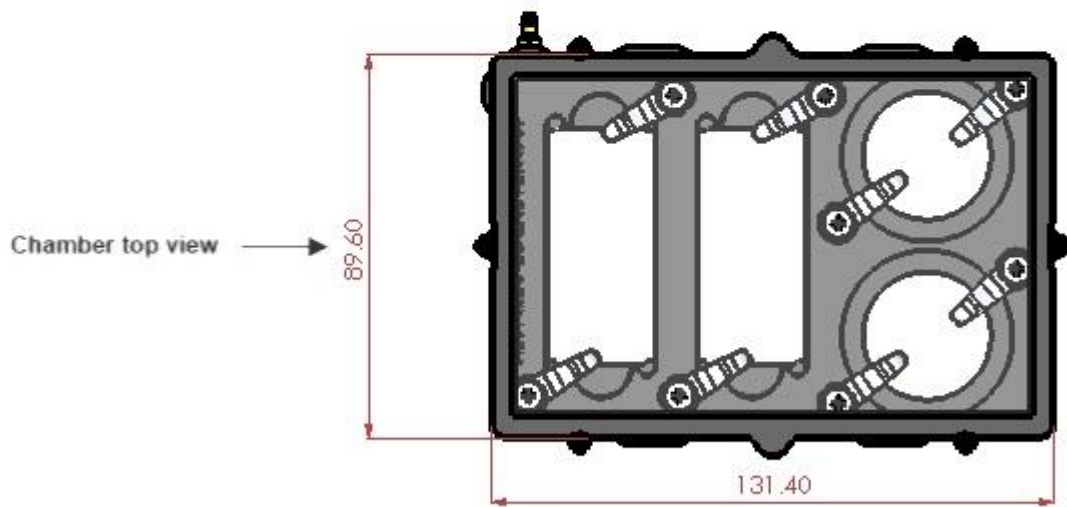
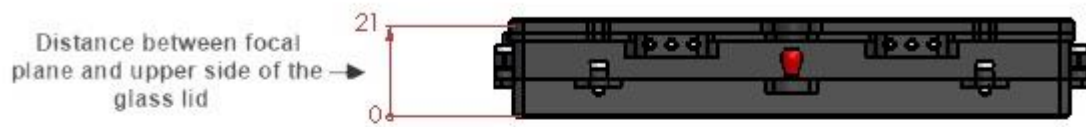


H201-MEC-LG-2xLABTEK II
For #2 Lab-Tek II 1"x2" chambered cover glass



H201-MEC-LG-LABTEK-35
For #2 Lab-Tek 1"x2" chambered cover glass and #2 35mm petri-dishes

H201-LG - Available Inserts



H201-LG - Dimensions